

Features

- 14" LED backlight panel with bezel-free capacitive touch
- Low power consumption X5-E8000 1.04Ghz processor
- Easy extended stand design
- Fanless design
- IP64 on front bezel
- Built-in 3" easy removable thermal printer
- Versatile peripheral 4.3" 2nd display, VFD, RFID, WiFi+BT, 4G LTE



Specification



Model		PSL540	
Display	Display Size	14" TFT LCD	
	Resolution	1366 x 768	
	Brightness/ Color	220 cd/m ² , 16.7M colors	
	Backlight	LED	
Touch Panel	Type	Projected capacitive touch	
Processor	CPU/ Chipset	Intel® ATOM™ X5-E8000 1.04GHZ BRASWELL	
Memory		x 1 SO-DIMM socket supports up to 8GB	
Storage		X 1 (M.2 SATAIII SSD)	
I/O Connectors	USB 3.0	x 4	
	Powered COM (RS232)	x 2 (DB9 powered COM 5V/ 12V selected)	
	Cash Drawer Port	x 1 (24V RJ11 port)	
	LAN	x 1 (RJ45 10/100/1000 Base-T)	
	DC In	Lockable 3-pin DC input	
3" Thermal printer		x 1	
Optional Peripherals		4.3" 2 nd display/ VFD/ RFID/ WiFi+BT/ 4G LTE/ MSR/ iButton	
Power Supply		19V 90W power adapter	
OS Support		POSReady 7/ Win 10 IoT Enterprise	
Environment	Temperature	Operation	32° to 95° F (0° to 35° C)
		Storage	-4° to 140° F (-20° to 60° C)
	Relative Humidity	20% to 80% non-condensing	
Dimension (W x H x D) mm		352.8 x 129.8 x 313.2 mm	
Certifications		CE/ FCC/ LVD	

Specifications subject to change without notice.

PSL540

Stylish AIO POS Terminal



Easy extended stand design



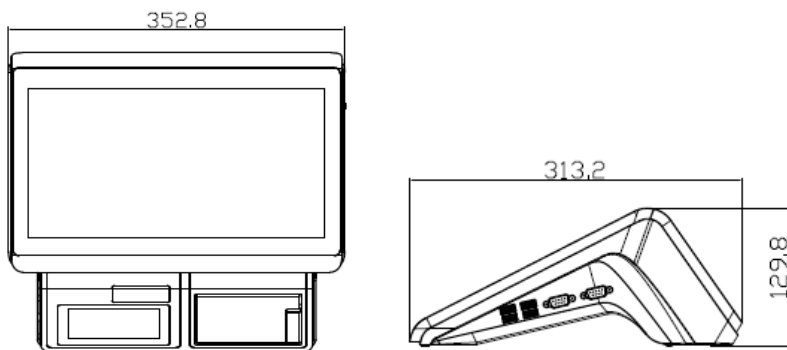
Easy replaceable 3" printer integrated



Optional VFD or 4.3" 2nd display, RFID

Mechanical Layout / Drawing

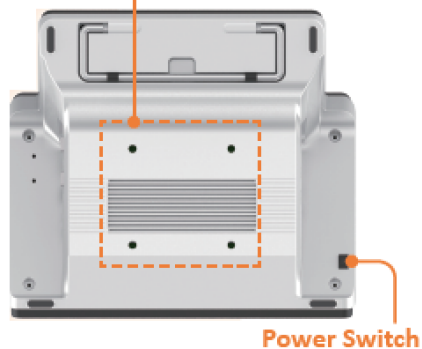
Unit: mm



I/O Interface



Support VESA Mount



Power Switch