

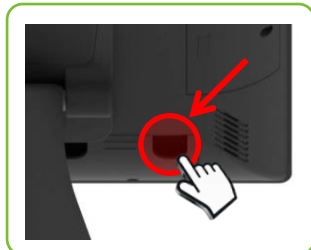
# A3515

15" All-in-one POS Terminal

reliability  
SIMPLICITY  
**ELEGANCE**  
performance  
Easy service



KEY FEATURES



### Easy Access

Discreet yet easy to access  
Power Button



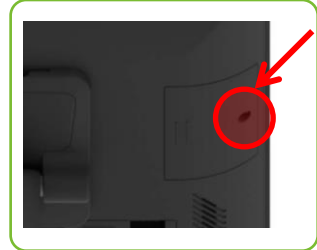
### Cable Cover

Helps to prevent  
unauthorized tampering.



### IP 65

IP65 water and dust proof  
protection (front only).



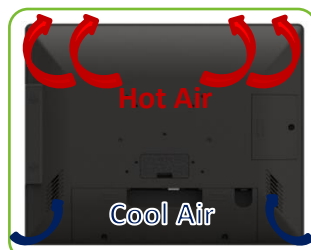
### Quick HDD Access

Quick and Easy HDD access



### Water Proof

Prevents liquid from getting  
into the system.



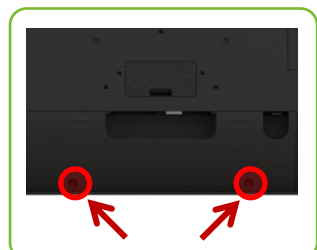
### Fan-less

Patented fan-less design with  
ventilation holes allows heat to  
escape. (For Core i3, i5 & i7 only)



### VESA Mount

Standard 75x75, 100x100 VESA  
holes for pole-, wall-, and  
stand- mountings



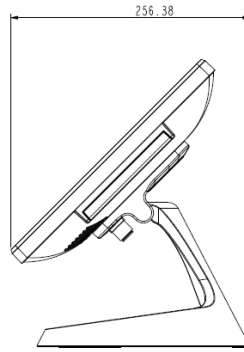
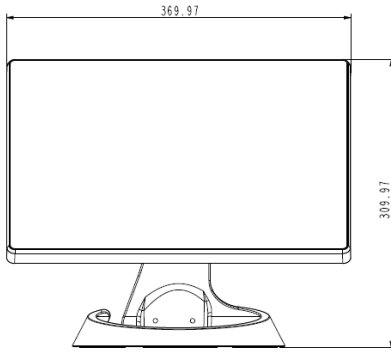
### Easy Service

Just two screws to reach the  
major components, such as MB,  
LCD,...etc.

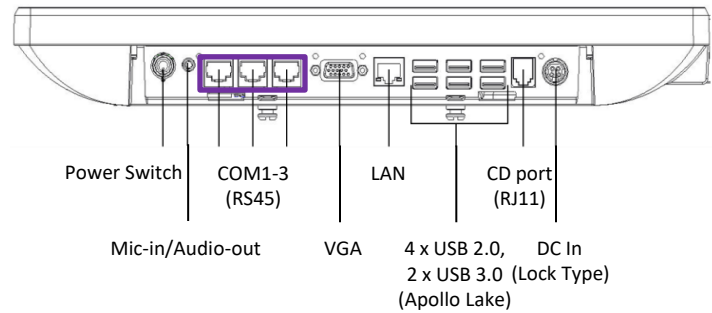
**PENETEK**<sup>TM</sup>  
www.penetek.com

Made in Taiwan

## Dimension



## I/O Interface



## Specification

Model		A3515
CPU Support		Intel® Bay Trail-D Celeron J1900 2.0GHz  Intel® Apollo Lake Celeron N3350 2.4GHz Pentium N4200 2.5GHz
System Memory		DDR3L, SO-DIMM x 2, 4GB (Max. 8GB)  DDR3L, SO-DIMM x 1, 4GB (Max. 8GB)
Storage	HDD	1 x 2.5" HDD (Optional)
	SSD	1 x 2.5" SSD
LCD	Size	15" TFT LED LCD Panel
	Brightness	350cd/m2 (Typ.)
	Resolution	1024 x 768
Touch Screen		True-Flat Projected Capacitive Touch
Tilt Angle		0 ~ 120 degree
External I/O Port		5 x USB 2.0 Ports & 1 x USB 3.0 Ports 3 x Serial port (RJ45); (COM1~3: 0/5/12V by BIOS) 1 x VGA (Power enable by BIOS; +12V) 1 x Cash Drawer Port (RJ11; +12V/24V) 1 x LAN (10/100/1000) 1 x Mic-In/Speaker-out (Combo Jack) 1 x DC In 1 x Power Switch 2 x 2W speaker (Optional)
	Rear	4 x USB 2.0 & 2 x USB 3.0 Ports
Speaker		
Power		External power adapter, 60W/12V (Lock type)
EMC Safety		CE, FCC Class A
Environment	Operating Temperature	0°C ~ 35°C
	Storage Temperature	-20°C ~ 60°C
	Operating Humidity	20% - 85% RH non condensing
	Storage Humidity	20% - 85% RH non condensing
OS Support		Windows® 7 Pro / Windows® POSReady 7 / Windows® 10 IoT / <b>Linux per request</b>  Windows® 10 IoT / <b>Linux per request</b>  Windows® 10 IoT / <b>Linux per request</b>
Dimension (W x D x H)		369.97 x 256.38 x 309.97 mm (With Stand)
Weight (N.W./G.W.)		6 kgs(N.W.)/7 kgs(G.W.)
Wall Mount		VESA 100 x 100mm
MSR (USB)	MSR (USB)	MSR / MSR + Finger Print (Combo) / MSR + i-Button (Combo) / MSR + RFID (Combo) / MSR + EMV + RFID (Combo)
	Customer display (USB)	Flush mount VFD display, 2x20 characters
	2nd Display	9.7" (1024 x 768)