

PoE Touch POS

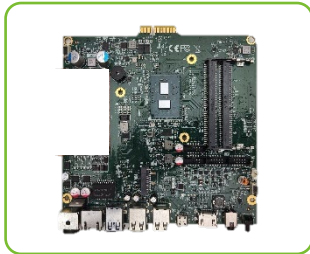
A4415 M85, 15" POS

intel
CELERON
J6412

elegance
SIMPLIFIED
Cost-Effective
flexibility
Convenient



KEY FEATURES



AIO Industrial M/B

Small and compact industrial-grade M/B designed for POS applications.



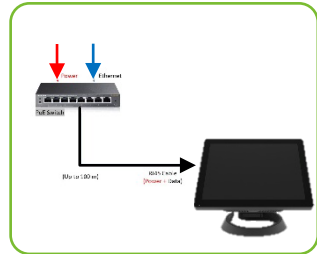
Power Over Ethernet

Converts **power and data** through an RJ45 cable for use by the system.



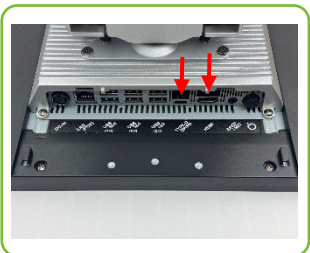
IP65 at front

IP65 water and dustproof protection (front only).



Simplified Installation

PoE provides power and data to the system making installation simpler.



Dual Video OUT

HDMI and **USB-C/DP** ports provide the convenience of using multiple displays



Quick Swapping

Discreet yet easy to distich the mainboard from the LCD combo.



Easy Service

Change the LCD panel or the Touch panel just by losing 4 screws.



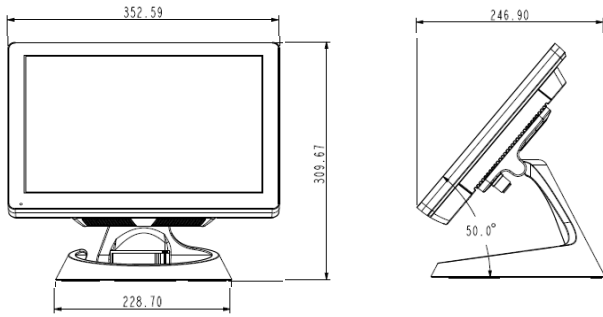
Slim and Elegant

A minimalist aesthetic that doesn't take up much space, and makes it easy to fit into any retail or hospitality environment.

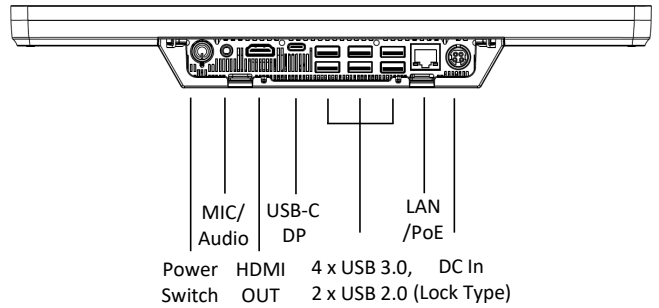
PENETEK
www.penetek.com

Made in Taiwan

Dimension



I/O Interface



Specification

Model		PoE POS, A4415 M85 E		
CPU Support		Intel® 10th Generation Elkhart Lake Celeron J6412 2.0GHz/2.6GHz burst mode (4 Cores)		
System Memory		2 x DDR4, SO-DIMM (Max. 32GB)		
Storage	HDD	None		
	SSD	1 x M.2 (2280) SSD		
LCD	Size	15" TFT LED LCD Panel		
	Brightness	350cd/m2 (Standard)		
	Resolution	1024 x 768		
Touch Screen		True-Flat Projected Capacitive Touch		
Tilt Angle		0 ~ 120°		
External I/O Port	Rear	4 x USB 3.0 Ports, 2 x USB 2.0 Ports (Type A) 1 x USB (Type C) / DP / PD (5V 2A/12V 1A) 4 x Serial ports (Optional, by extension cable); (Power enabled by BIOS; 0/5/12V) 1 x HDMI OUT 1 x LAN (10/100/1000) 1 x MIC-In/Speaker-out (Combo Jack) 1 x DC In 1 x Power Switch		
		Speaker	2 x 2W speaker (Optional)	
		Power	External power adapter, 60W/12V (Lock type) / Power Over Ethernet Module (Optional)	
		EMC Safety	CE, FCC Class A	
		Environment	Operating Temperature	0°C ~ 35°C
			Storage Temperature	-20°C ~ 60°C
Operating Humidity	20% - 85% RH non condensing			
Security & Reliability		TPM 2.0 embedded		
OS Support		Windows® 11 / Windows® 10 IoT 21H2 and after / Linux per request		
Peripherals	MSR (USB)	MSR / i-Button / Finger Print / RFID / MSR + i-Button (Combo) / MSR + Finger Print (Combo) / MSR + RFID (Combo)		
	Customer display	Flush mount VFD display, 2x20 characters		
	2nd Display	9.7" (1024 x 768) / 10.1" (1024 x 600) / 13.3" (1920 x 1080) / 15" (1024 x 768) / 15.6" (1366 x 768)		
Stand		Type A / B / C / D / E (Default) / F / G		
System Dimension (W x D x H)		352.59 x 228.70 x 309.67 mm		
Weight (N.W./G.W.)		5 kgs(N.W.) / 6 kgs(G.W.)		