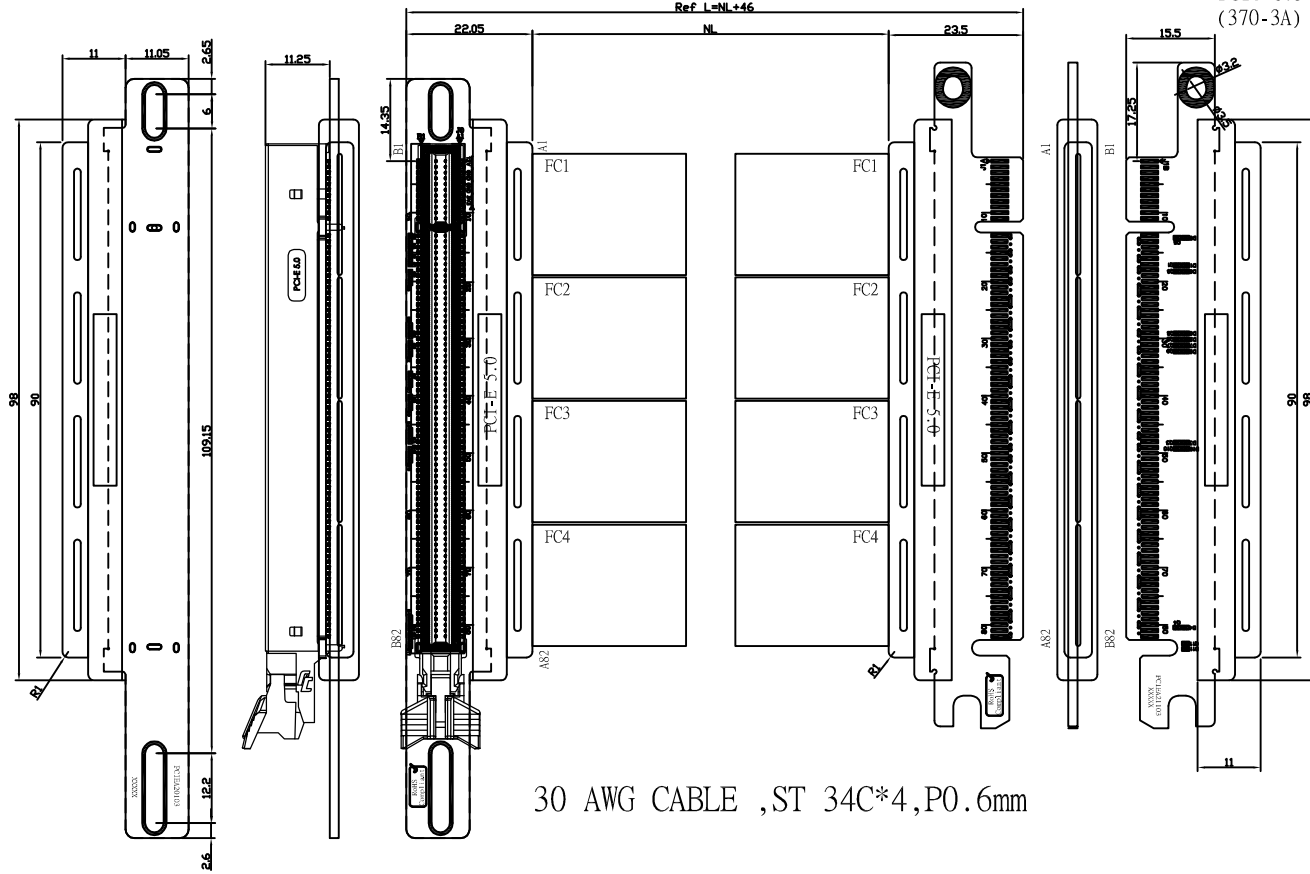


REV.	ZONE	DESCRIPTION	DATE	REVISER	APPD
------	------	-------------	------	---------	------

P1
PCIe G.5 Vertical 164F
(369-3A)

P2
PCIe G.5 164M
(370-3A)



備註：
P1連接器為客供(2EHB82x-D89x0-xH)

	200±10	5G164F10-10246
200±10		5G164F10-10200
300±15		5G164F10-10300
500±15		5G164F10-10500
	500±15	5G164F10-10546
600±20		5G164F10-10600
700±20		5G164F10-10700
L (mm)	NL (mm)	Part No.

高位企業有限公司 Yes Way Enterprise Corp.		TOLERANCE UNSPECIFIED	
SCALE 1 : 1	UNIT mm	.000	±
		.00	±
		.0	±
			±
NAME Gen.5 PCIe X16 164 M/F Vertical.		SHEET 1/2	DRAWN 3/07/2024 Johanna
DRAWING NO. 5G164F10-1xxxx		REV A0	DESIGNER Reo CHECKED Jenny APPROVED Tim

RoHS product

A3

